

SWITCH BOX SBU



Double-acting pneumatic actuator with SBU-switch box directly mounted.

TECHNICAL DATA

Body:	Aluminium (powder coated)
Sealing:	NBR (Silicone on request)
Connection:	Colour coded spring type terminals 2,5mm ²
Protection class:	IP 65, IP 67 and IP 68 to EN 60529
Temperature range:	-20°C to +85°C
Screws:	Stainless steel
Sensors:	2 or 3 microswitches 2 or 3 V3 proximity switches 2 proximity switches M12 or M8
Adjustment range:	max. three control switches, adjustable within 240°
Solenoid valve:	max. 2 inductors

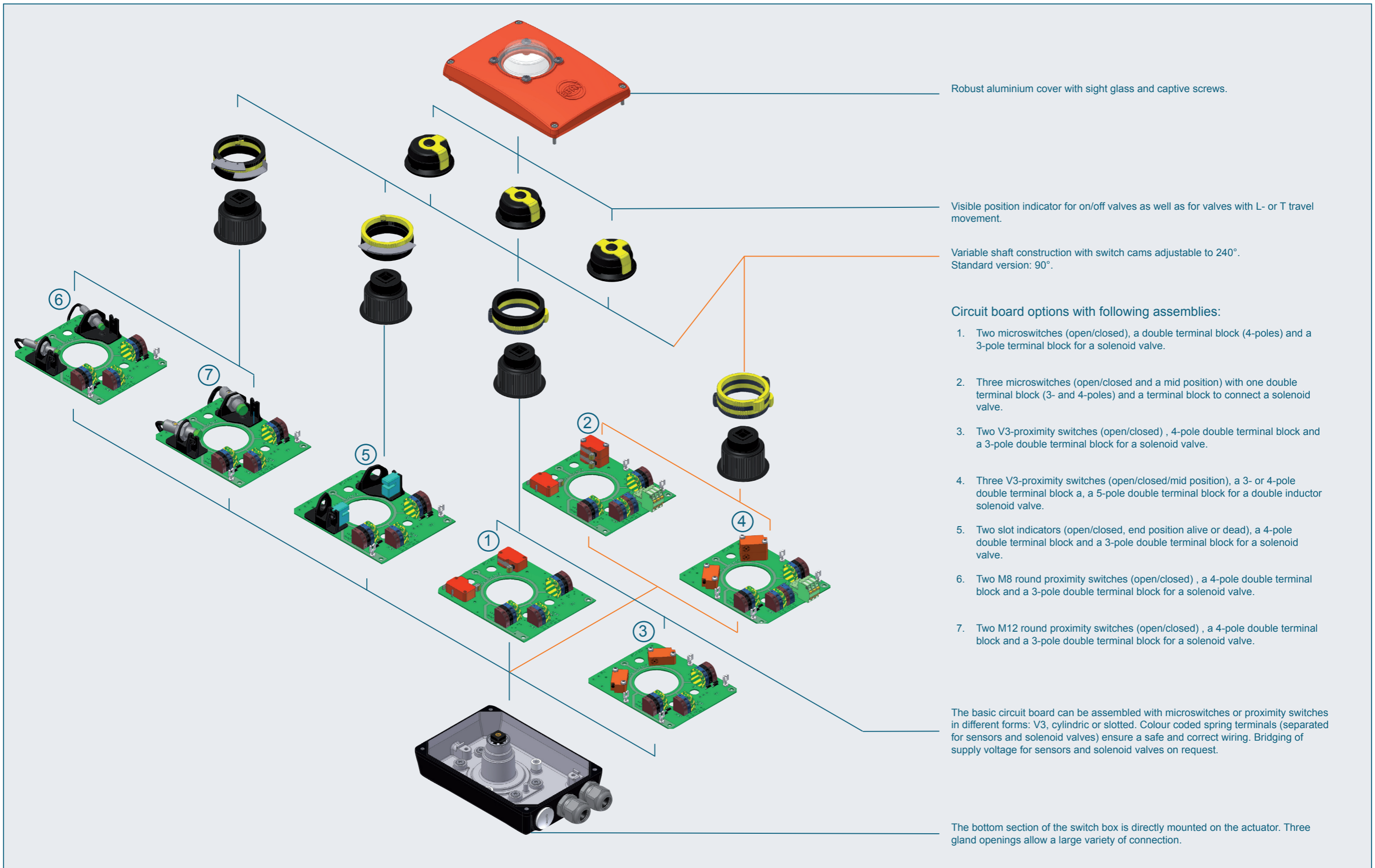
FEATURES

- Direct mounting acc. to VDI/VDE 3845 (EB4.1 - EB12.1)
- Bracket mounting possible
- Compact dimensions
- The operating voltage for microswitches is selectable with isolated changeover contacts
- The aluminium body protects against mechanical damages
- Cover attachment with captive screws
- Separate terminal boards for sensors and solenoid valves
- Colour coded 2-pole spring-type terminals
- Labelling of clamping units of the circuit board
- Terminal diagram within the cover
- Connection of a third switch and of a solenoid valve with two inductors (optional)
- 360° position indicator
- Switches are contacted directly on the circuit board
- Sensors are connected via spring-type terminals and can be replaced separately

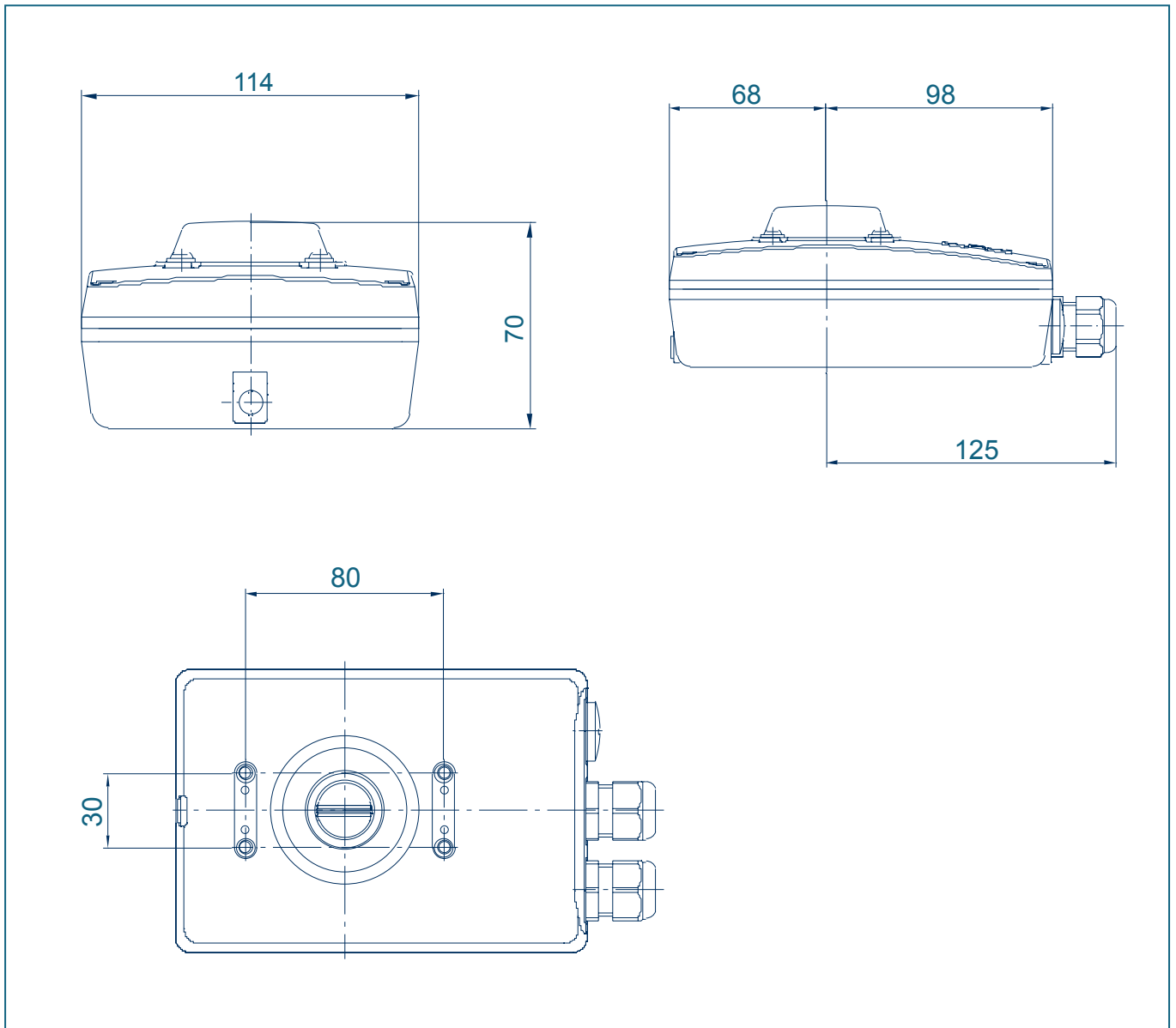


Optional:
Switch box with diaphragm for ventilation and plug-in connection (pic. below).

MODULAR DESIGN SBU



SWITCH BOX SBU



Subject to changes without notice.