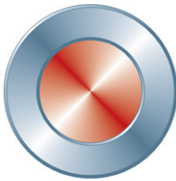
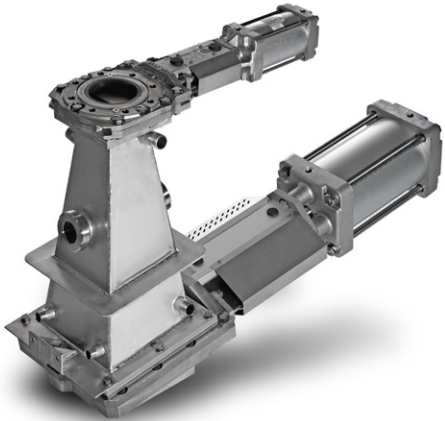


Junc Trap JT



Stafsjö
SINCE 1666

Data is only for informational purpose. All specifications are subject to change without notice.

Junk Trap JT

Stafsjö's JT (Junk Trap) is designed for reject applications. It consists of a standard RKO valve on inlet, a JTV valve on the outlet and a reject tank in between the two valves. The product is specially designed to minimize turbulence, erosive wear and build-up of solids and reject material.

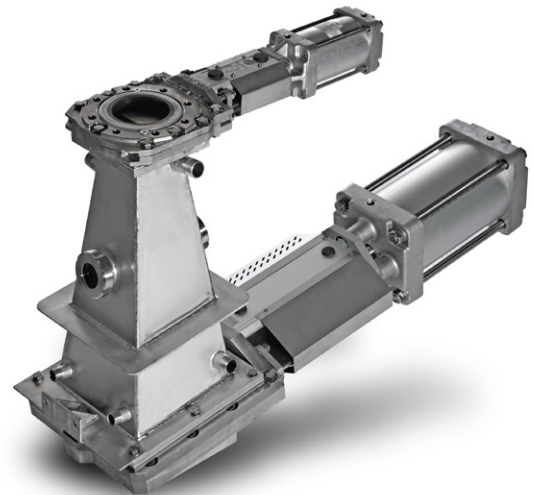
The knife gate valve RKO has a circular inlet and a square outlet, while JTV has a square inlet and outlet. This design, together with the quadratic and conic shape of the reject tank, counteracts clogging of the Junk Trap and minimizes wear on the inner side of the reject tank. The inclined position of JTV counteracts wear on the gate.

The reject tank design enables different ways of operation, depending on media and type of application. It is designed with two sight glasses for observation of the reject level in the chamber. Water (flush/fill) and air bleed connections are located near the top of the tank and three connections are located near the lower end in order to prevent possible clogging and congestions in dead corners.

Both RKO and JTV can be equipped with different types of accessories, such as solenoid valves and limit switches. The knife gate valves are equipped with double-acting pneumatic cylinders as standard. Further information on the two valves is presented in the data sheets for each valve, available on www.stafsjo.com.

JT is designed, manufactured, inspected and tested according to the European Pressure Equipment Directive (PED 97/23/EC) category I and II module A1. JT is therefore CE marked when applicable.

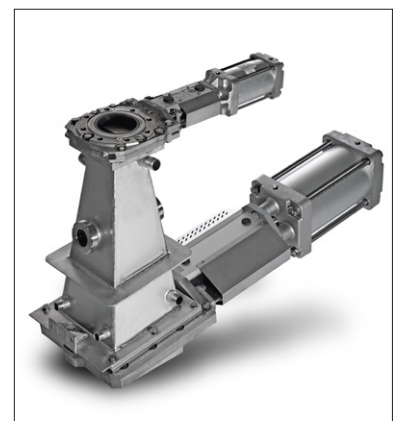
JT is also available in ATEX-design (ATEX 94/9/EC II cat 3 G/D for zone 2 and 22). Please contact Stafsjö or your local representative for advice and information.



Knife gate valve RKO



Knife gate valve JTV



Junk Trap JT

Design data

Maximum working pressure at 20°C		Maximum differential pressure at 20°C	
DN	bar	DN	bar
100-150/250	6	100-150/250	6

Pressure tests

Pressure tests are performed on JT with water at 20°C acc. to EN 12266-1:2012. Pressure for control of complete unit: 1,5 times maximum allowable working pressure.

Part list

Pos	Detalj	Material (Name)
46	RKO	See data sheet
47	Gasket	KLINGERSil C-4430
48	Reject tank	Stainless steel (EN 1.4404/SS 2348)
49	Support	Stainless steel (EN 1.4404/SS 2348)
50	Gasket	KLINGERSil C-4430
51	Splash guard	Stainless steel (EN 1.4404/SS 2348)
52	JTV	See data sheet

Connections

Pos	Connection type	DN
1	Water (flush/fill)	DN25/R 1"
2	Air (De-aeration)	DN25/R 1"
3	Water (flush/fill)	DN25/R 3/4"
4	Water (flush/fill)	DN25/R 3/4"
5	Water (flush/fill)	DN25/R 1"

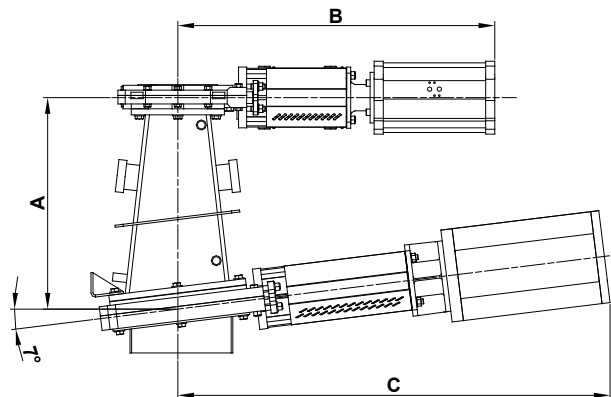
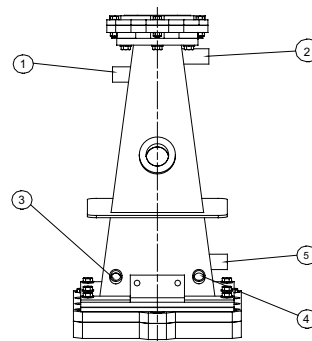
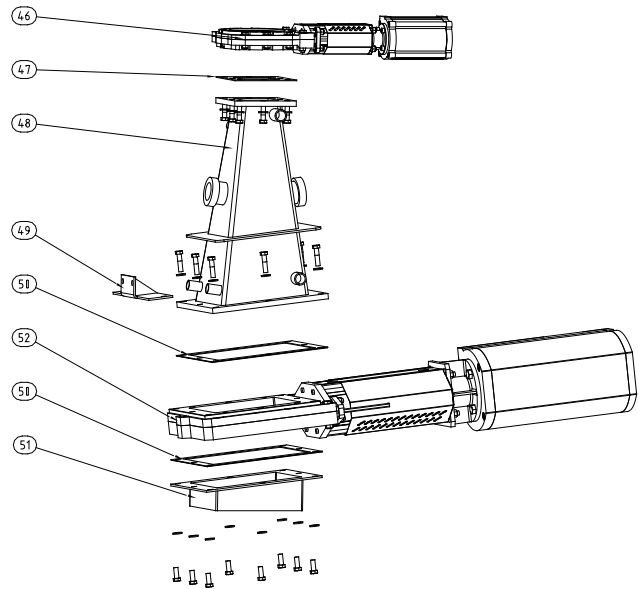
Main dimensions

Dimension (mm)						
DN	A	B	C	Volym L ¹⁾	Weight kg ²⁾	
100/250	639	555	1068	15	148	
150/250	522	783	1068	17	163	

¹⁾ Volume (litres) reject tank.

²⁾ Weight reject tank, knife gate valves (RKO and JTV) equipped with double-acting pneumatic cylinders.

Main dimensions are only for information. Contact Stafsjö for certified drawings.

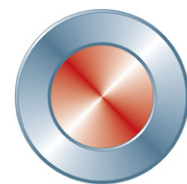


Further information is available on www.stafsjo.com



Globally active. Locally represented.

AFRICA South Africa: Valve & Automation (Pty) Ltd, ASIA China: EBRO ARMATUREN (BEIJING) CO., LTD, India: Ebro Armaturen India Pvt. Ltd, Indonesia: Contromatic Prima Mandiri PT, Japan: SKC Co. Ltd, Malaysia: Precision Control SdnBnd, Philippines: EBRO ARMATUREN (PHILIPPINES) INC., Thailand: EBRO VALVES (Trading) Co. Ltd., Vietnam: EBRO VALVES (Thailand) Co., Ltd, AUSTRALIA WITH OCEANIA Australia: EBRO ARMATUREN Pacific PTY. LTD, New Zealand: H.J.Asmuss&Co.Ltd, EUROPE Austria: EBRO ARMATUREN GmbH, Belgium: V.C.T. - Valve & Connector Technology n.v., Denmark: Valtor Industri A/S, Finland: Tecalemit Flow Oy, France: EBRO ARMATUREN and GL&V, Germany: EBRO ARMATUREN Gebr. Bröer GmbH, Great Britain: EBRO Valves Ltd, Hungary: EBRO ARMATUREN Kft, Ireland: Induchem Components Ltd, Iceland: Hédinn HF, Italy: EBRO VALVOLE SRL, The Netherlands: EBRO VALVES B.V., Norway: BAGGES AS, Poland: EBRO ARMATUREN GmbH, Portugal: AxFlow Comércio de Equipamentos LDA, RUSSIA/BELARUS/UKRAINE: EBRO ARMATUREN and LesBumMash Ltd, Spain: EBRO ARMATUREN ESPAÑA, S.L., Switzerland: EBRO Armaturen Est. & Co. KG, Sweden: Stafsjö Valves AB and Ahlsell, Turkey: EBRO ARMATUREN Otomasyon Sistemleri San ve Tic Ltd. Sti NORTH & SOUTH AMERICA Argentina: ESCO ARGENTINA SA, Brazil: Ebro Stafsjö Valves do Brasil LTD, Canada: Armour Valve Ltd, Chile: Ebro Stafsjö Valves Chile Ltd, USA: EBRO ARMATUREN USA Inc., For other countries, please contact us directly.



Stafsjö
SINCE 1666